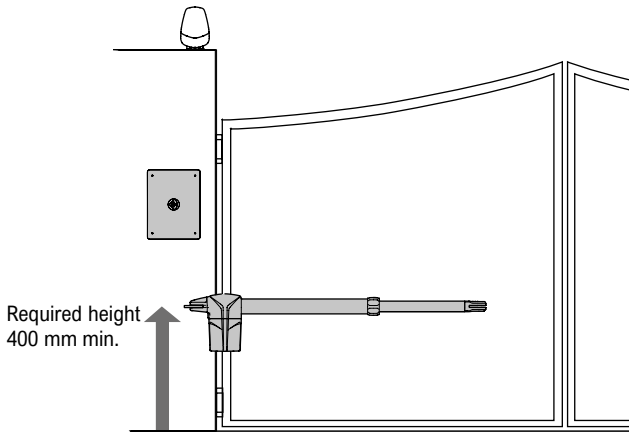


3.4.1 Quotes from ground

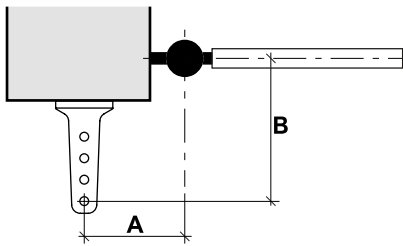
Brackets must be positioned at a minimum height of (picture B). If the gate is particularly light, fit the operator as closer as possible to gate centerline.

Picture B



3.4.2 Pillar quotes

The ideal approach is to fix the brackets complying with the measures A and B as indicated in the below table for an opening angle of 90° (picture C/D).



ASTER 3: A=150 B=150
ASTER 4: A=200 B=200
ASTER 5: A=250 B=250
ASTER 6: A=300 B=300

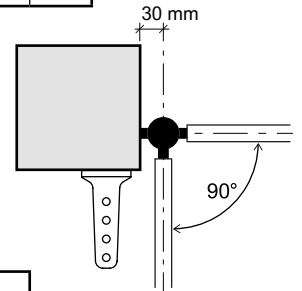
ASTER 6 NEW (90°)									
D	275	250	225	200	175	150	125	100	75
A	210	240	280	275	300	300	330	370	410
B	335	330	305	310	285	290	265	240	215
Bracket	80	80	80	110	110	140	140	140	140
Minimum leaf length	1320	1300	1280	1280	1260	1270	1240	1220	1200

ASTER 5 NEW (90°)									
D	225	200	175	150	125	100	75	50	25
A	165	190	200	200	200	200	250	300	345
B	305	280	255	260	265	240	215	190	165
Bracket	80	80	80	110	140	140	140	140	140
Minimum leaf length	1150	1130	1130	1130	1140	1120	1100	1070	1050

ASTER 4 NEW (90°)								
D	175	150	125	100	75	50	25	0
A	115	140	165	160	155	180	210	240
B	255	230	205	210	215	190	165	140
Bracket	80	80	80	110	140	140	140	140
Minimum leaf length	1000	980	980	970	970	970	950	930

ASTER 3 NEW (90°)						
D	125	100	75	50	25	0
A	110	150	145	140	135	160
B	205	150	155	160	165	140
Bracket	80	50	80	110	140	140
Minimum leaf length	860	840	840	850	850	830

NB: for an opening angle of 90° the minimum recommended distance between the hinge and the pillar is 30 mm.



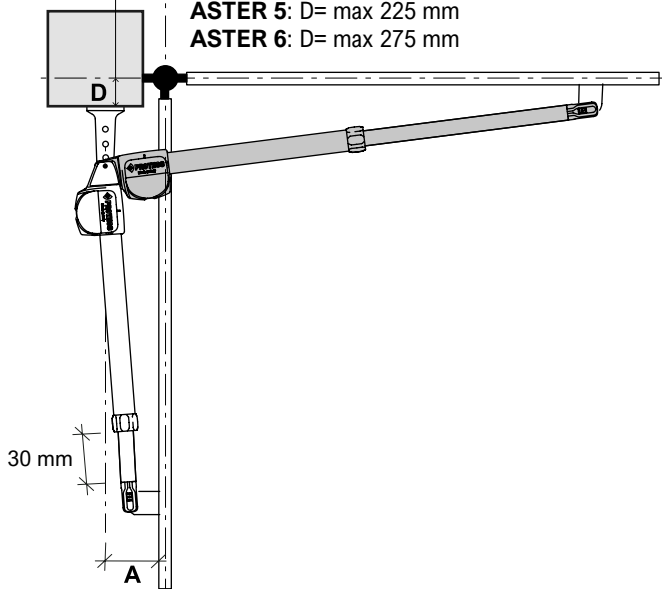
ASTER 6 NEW (110°)				
D	150	125	100	75
A	250	260	280	275
B	260	235	210	215
Distance between hinge and pillar	80	70	60	50
Bracket	110	110	110	140
Minimum leaf length	1300	1280	1250	1260

ASTER 6 NEW (120°)			
D	125	100	75
A	290	285	185
B	175	180	280
Distance between hinge and pillar	100	90	70
Bracket	50	80	110
Minimum leaf length	1250	1260	1260

ASTER 5 NEW (110°)				
D	100	75	50	25
A	220	220	215	235
B	210	185	190	165
Distanza cerniera anta da pilastro	70	60	50	40
Quota staffa	80	110	140	140
Lunghezza anta minima	1100	1100	1200	1200

Picture D

ASTER 3: D= max 125 mm
ASTER 4: D= max 175 mm
ASTER 5: D= max 225 mm
ASTER 6: D= max 275 mm



If the ideal scenario of A and B is not applicable, then refer to the below table to get some other possible combinations according to the width of the pillar.

Values are expressed in mm. The **New Aster** can replace the previous model ensuring the same excursions and the same opening angles, without having to replace the existing ones.

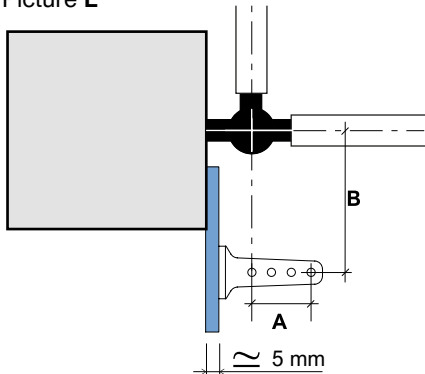
ASTER 4 NEW (110°)		
D	50	0
A	175	175
B	140	140
Distanza cerniera anta da pilastro	40	30
Quota staffa	80	140
Lunghezza anta minima	925	920

ASTER 3 NEW (110°)		
D	25	0
A	165	140
B	120	140
Distanza cerniera anta da pilastro	40	30
Quota staffa	140	140
Lunghezza anta minima	810	800

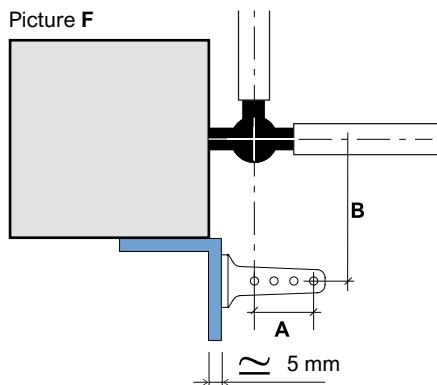
3.4.3 Outward opening

It's possible to have your gate opening outward (picture E/F)

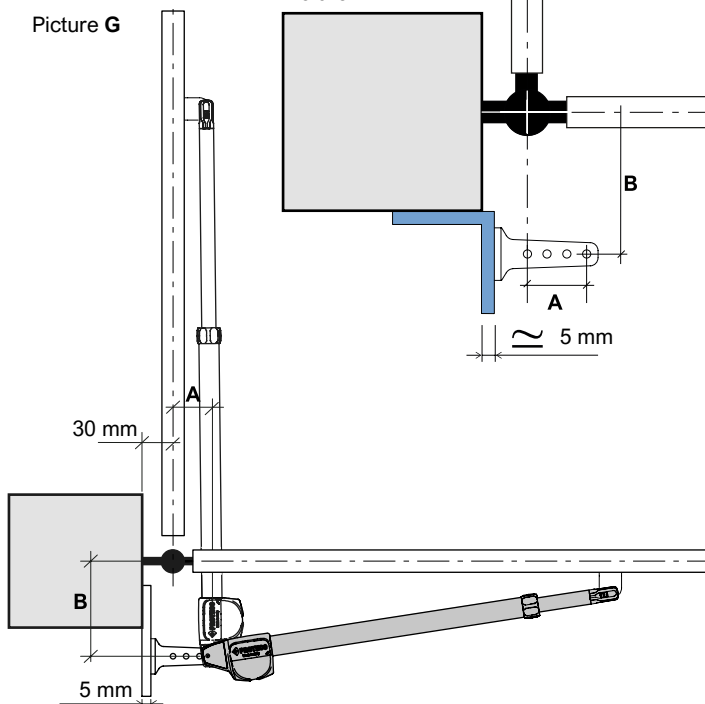
Picture E



Picture F



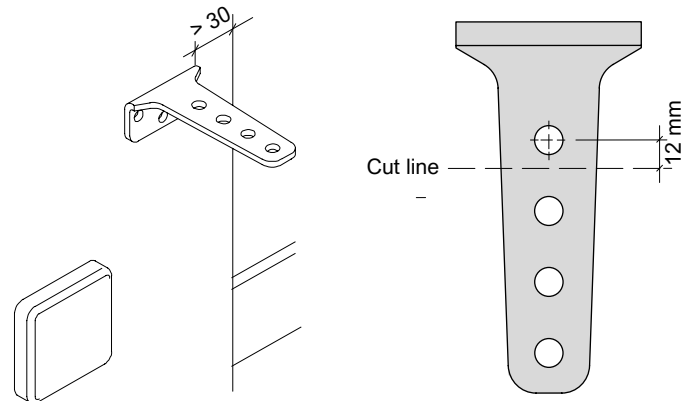
Picture G



Operator	ASTER 3	ASTER 4	ASTER 5	ASTER 6
A	115	115	115	115
B	220	200	200	200
Distance from pillar bracket	5	5	5	5
Min. leaf length	800	1000	1200	1200

3.4.4 Fixing the pillar bracket

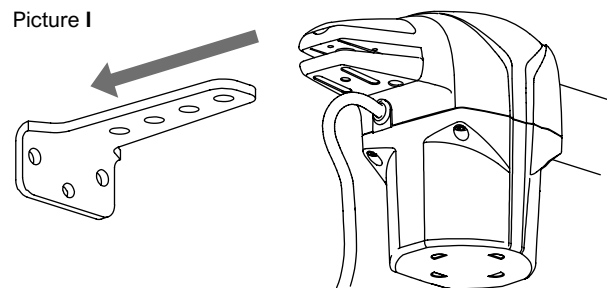
Fixing the pillar bracket



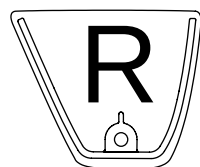
In order to properly cut the bracket start 12 mm from the hole center, as shown in the picture.
Fix the motor to the bracket following the below procedure:

- Remove screw from plastic cap (picture L - A).
- Fit the bracket to the motor (picture I).
- Fit the pin (picture L).
- Put the cap back and screw (fig. M).

Picture I



Picture L

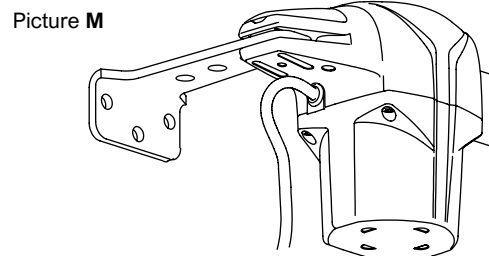


RH cap = RH motor

LH cap = LH motor

NB: Be carefull when fitting the cap. It has to match the proper motor.

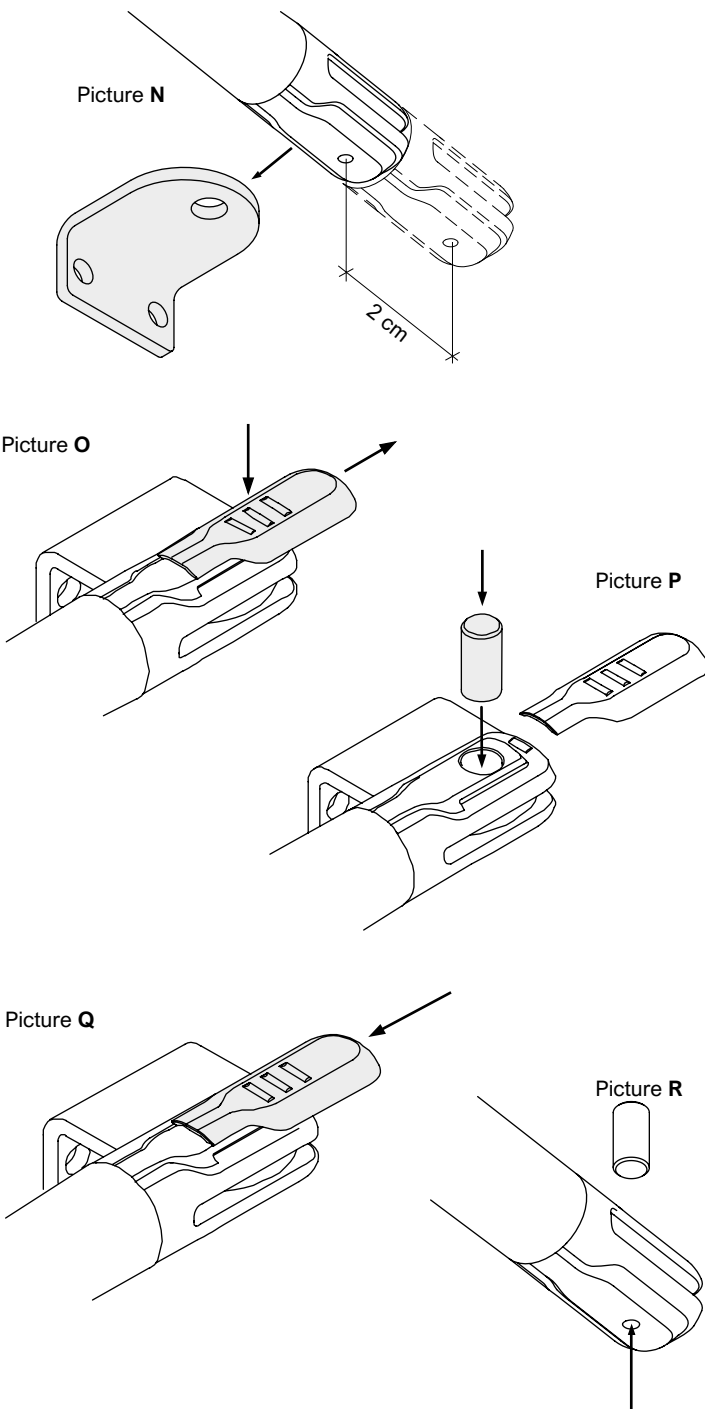
Picture M



3.4.5 Fixing the gate bracket

Follow the below procedure to determine the bracket position on the gate:

- Put the gate to CLOSING position.
- Unlock the operator (refer to section [5.2 Manual Operation](#)).
- Extend the inox arm fully.
- Turn back the arm 2 cms. This avoids the motor to "leap forward" (picture **N**).
- Press the plastic cap with little force, and gently slide it forward (picture **O**).
- Insert the bracket in the motor and fit the pin (picture **P**).
- Mount the arm of the motor onto the gate. Ensure the arm is perfectly straight. Check the manual opening of the leaf before definitively fixing the bracket to make sure the gate can open fully to your required angle.
- If the bracket position is the correct one, remove the pin (picture **R**) and proceed to definitively fix it.
- Repeat steps shown in picture **P** and **Q**.



NB: Check the manual opening of the leaf before definitively fixing the bracket to make sure the gate can open fully to your required angle.

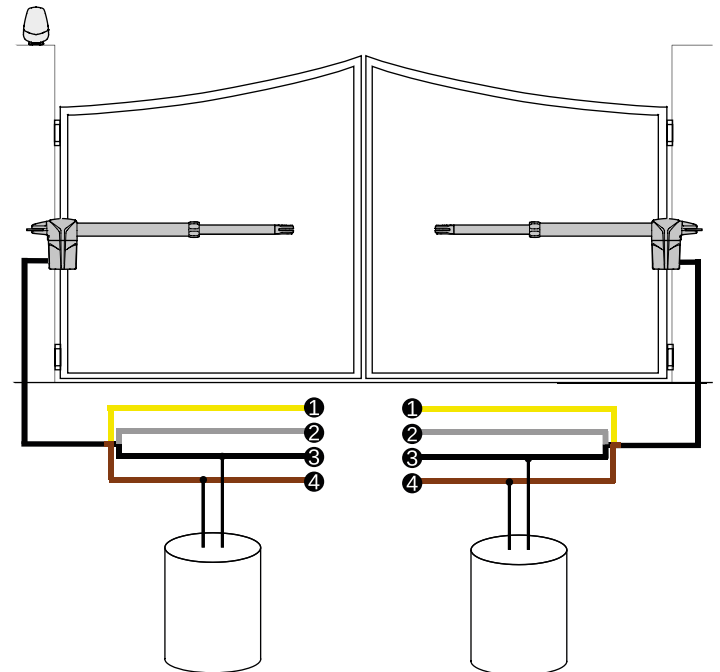
NB: If you wish to remove the pin, take the cap off, and push using a screwdriver (\varnothing max 4,5 mm) until the pin is out.

3.4.6 Wirings

Attention!
An incorrect wiring could lead to failures and very dangerous injuries. Therefore carefully follow the wiring instructions contained in this manual.
Switch the power and batteries OFF before any wiring operation.

Warning!
The electric plant must be performed by qualified personnel and must comply with the outstanding regulations.

Picture S



	115V-60Hz 230V-50Hz	24V dc	CONTACT
1	Yellow - Green		EARTH
2	Grey		NEUTRAL
3	Black	Brown	OPENING
4	Brown	Blue	CLOSING

Attention!
The electric plant must be protected by a ground system, in accordance to the current safety regulations. Do not let the motor wire stretch during opening and closing.

Capacitors are provided just with 230V and 115V motors..

4. MAINTENANCE

ATTENTION!

Maintenance service must be carried out by qualified technical personnel, in full compliance with the safety standards required by the laws in force.

Maintenance has to be carried out every six months.

In order to proceed to maintenance service, follow the below checks:

- Turn the POWER OFF.
- Check the good condition of any component.
- Check screw connections are properly tightened.
- Unlock the operator, and make sure the gate opens and closes freely. Clean the inox arm using a dry cloth (no lubrication needed).
- Put the gate to closing position, lock the operator and if necessary repeat the programming procedure.

Release system test

- In order to check the good operation of the release system put the gate to closing position and unlock to motor. The unlock operation has to be smooth and easy.
- The gate has to move freely in both directions.
- The release key has to turn smoothly and easily.

Take note of each intervention performed and mark it in the section END USER GUIDELINES, 5.3 Maintenance: maintenance services and repairs shall be noted, and the owner of the system shall keep them for future reference.

5. END USER GUIDELINES

Dear Customer, the following pages contain important information for your safety and for complying with standing safety regulations.

Keep this manual for future reference.

5.1 Safety tips

Keep the operator away from children.

Children and people with reduced physical, sensory, mental or limited experience and / or knowledge can use automation only if provided with supervision or specific instructions regarding the safe use of the system.

The ASTER operator is designed to automate swing gates. The use of this product for purposes other than those described and installation executed in a manner other than as instructed in this technical manual are prohibited.

Stay away from internal parts of the automation: It's dangerous and there are no components that can be repaired or replaced by unqualified personnel.

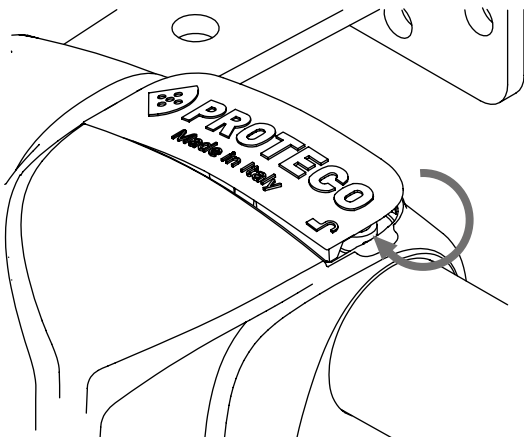
Remote controls or other command devices can be used only when the automation is clearly visible and no dangerous situations are detected..

Do not allow children to play within the system area.

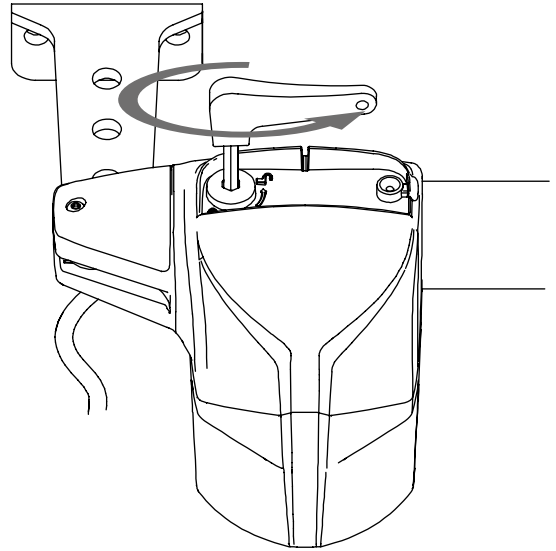
5.2 Manual operation

- Switch the POWER OFF.
- Lift the plastic cap acting on the right side of the operator (picture T).
- Plug the release key and turn it 180° counter clockwise as shown in picture U.
- The operator is now unlocked, manually open and close the gate.
- Put the gate to closing position, lock the operator turning the release key 180° clockwise.
- Reposition the plastic cap as shown in pictures V/Z. Put a little force on the cap to reach the correct position.
- Switch the POWER ON.

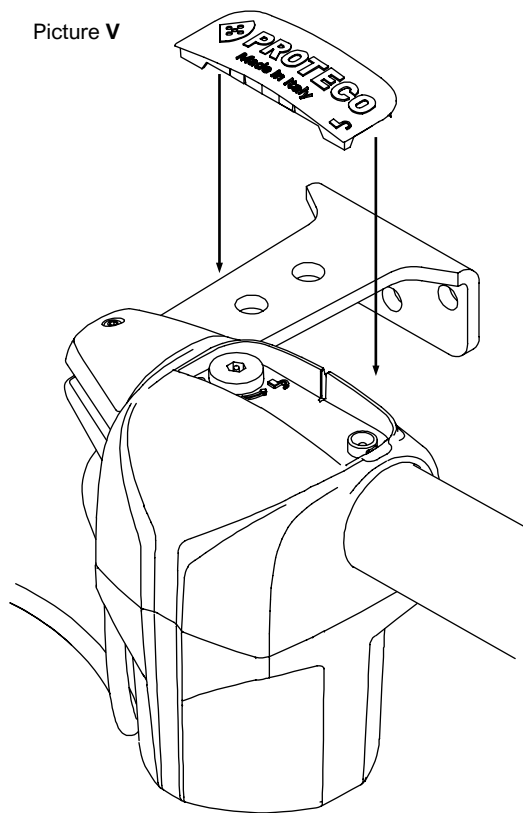
Picture T



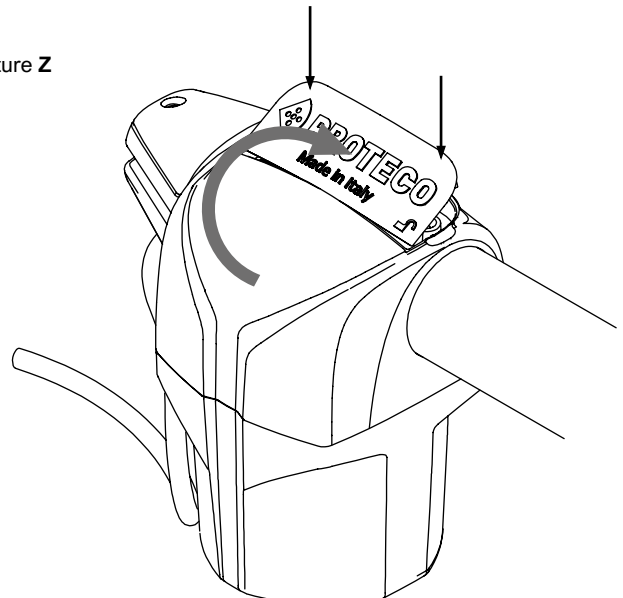
Picture U



Picture V



Picture Z



5.3 Maintenance

To keep the automation safety and in good operation over time, it is advisable to schedule a periodic maintenance plan with the installer, or at least report any anomalous behaviors that may require inspection.

In case of malfunctions it is advisable to contact the installer who carried out the whole installation, rather than others. Periodic maintenance and repairs must be reported by the installer and the owner must keep them safe and available for future reference.

End user may only take care of photocells and automation housing cleaning.

Use the below table to note any intervention on the installation.

DATE	NOTES	INSTALLER SIGNATURE	OWNER SIGNATURE

5.4 Warranty

PROTECO products are covered by a **3-year limited warranty** from the production date printed on the product. During this period, Proteco Srl offers a guarantee in case of malfunction due to construction, material or assembly faults. Warranty terms are applicable just if the instructions and maintenance included in this manual are fully respected and carried out.

Warranty is void when fake spares are used and doesn't respond for faults due to incorrect installation. Installation and any maintenance works are responsibility of the person installing the system. In no case and in no way will Proteco Srl be liable to the end user for damages, including any loss of profits, savings or other accidental or indirect damages, resulting from the use or inability to use PROTECO products.

Any return without authorization number will be rejected. The shipment of the returned product and the related costs are the end user/buyer charge. All defective products must be returned together with the proof of payment to:

PROTECO Srl Via Neive 77, 12050 Castagnito (CN) - Italia

Warranty is void when:

- The product has been treated / stored under abnormal conditions of use and maintenance.
- The product has been repaired, modified or altered.
- The product has been subject to misuse, neglect, electrical problems, improper package, accident, or natural events.
- The product was installed improperly.
- The product warranty label is illegible or is missing entirely.
- The malfunction is due to improper installation or to natural and/or accidental causes (eg: falls, oxidation, overvoltage).

5.5 Disposal

5.5.1 Disposal of the system

Any part of the system, including devices such as remote controls, must be disposed in compliance with current legislation, as they may be harmful for the environment.

Most of the materials used are similar to solid urban waste and can be handled accordingly.

They can be recycled through separate collection and disposed in authorized centers.

Other components (electronic boards, batteries, etc.) may instead contain polluting substances.

They must therefore be removed and delivered to companies authorized for their recovery and disposal.

Before proceeding, it is always advisable to check the specific regulations in force.

Disposal of packing

Packaging components (cardboard, plastics, etc.) are similar to solid urban waste and can be handled accordingly without any difficulty, simply by carrying out separate collection for recycling.

Before proceeding, it is always advisable to check the specific regulations in force.

DO NOT POLLUTE THE ENVIRONMENT!