

Automation for sectional garage door

SWING



Garage door 230V opener for Up-And-Over doors up to 9m² wide.

PROFESSIONAL AND VERSATILE.

Complete with embedded control unit, radio receiver and electromechanical limit switch system. Control board features adjustment of motor torque, adjustment of the deceleration times and fault warnings. Easy to install: the kit includes the fixing bar on the door. Safety and security: the irreversible motor ensures that the door will remain closed even without any lock installed.

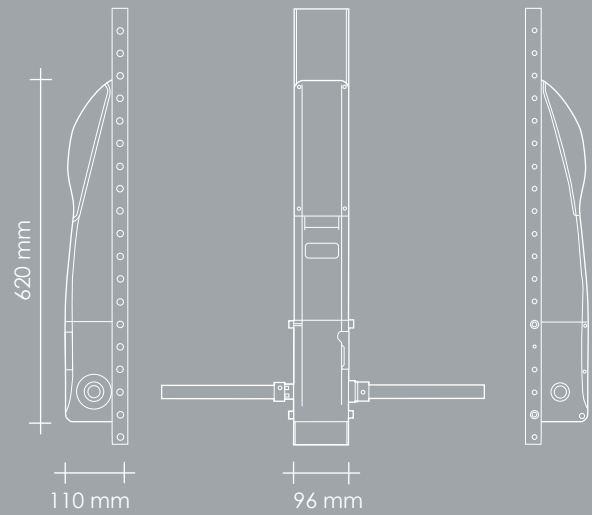
Built-in flashing light for warning when automation is in progress and emergency release system for the automation from the inside of the door to be used in cases of a power failure.

In situations where there is a pre-existing door-lock, an emergency opening system from the outside is available as an optional accessory.

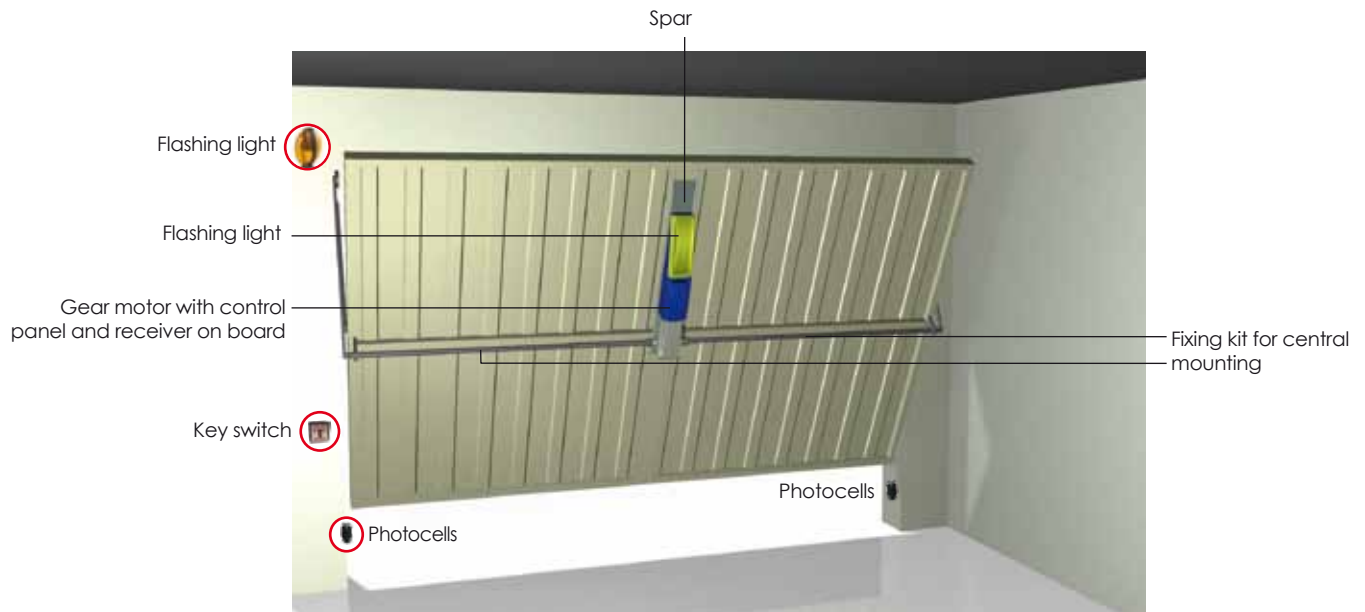
TECHNICAL FEATURES

SWING

Motor Power supply	230V ~ 50Hz
Current	1,4 A
Motor Power	300 W
Capacitor	10 μ F
Class IP Protection	40
Revolutions (speed)	1400 rpm
Opening time	15"
Door maximum size	9 m ²
Duty Cycle	30%



SWING/Professional/English



SWINGkit

- Motor 230V with Q60S control unit
- Door fixing bar (1,2 m long)

